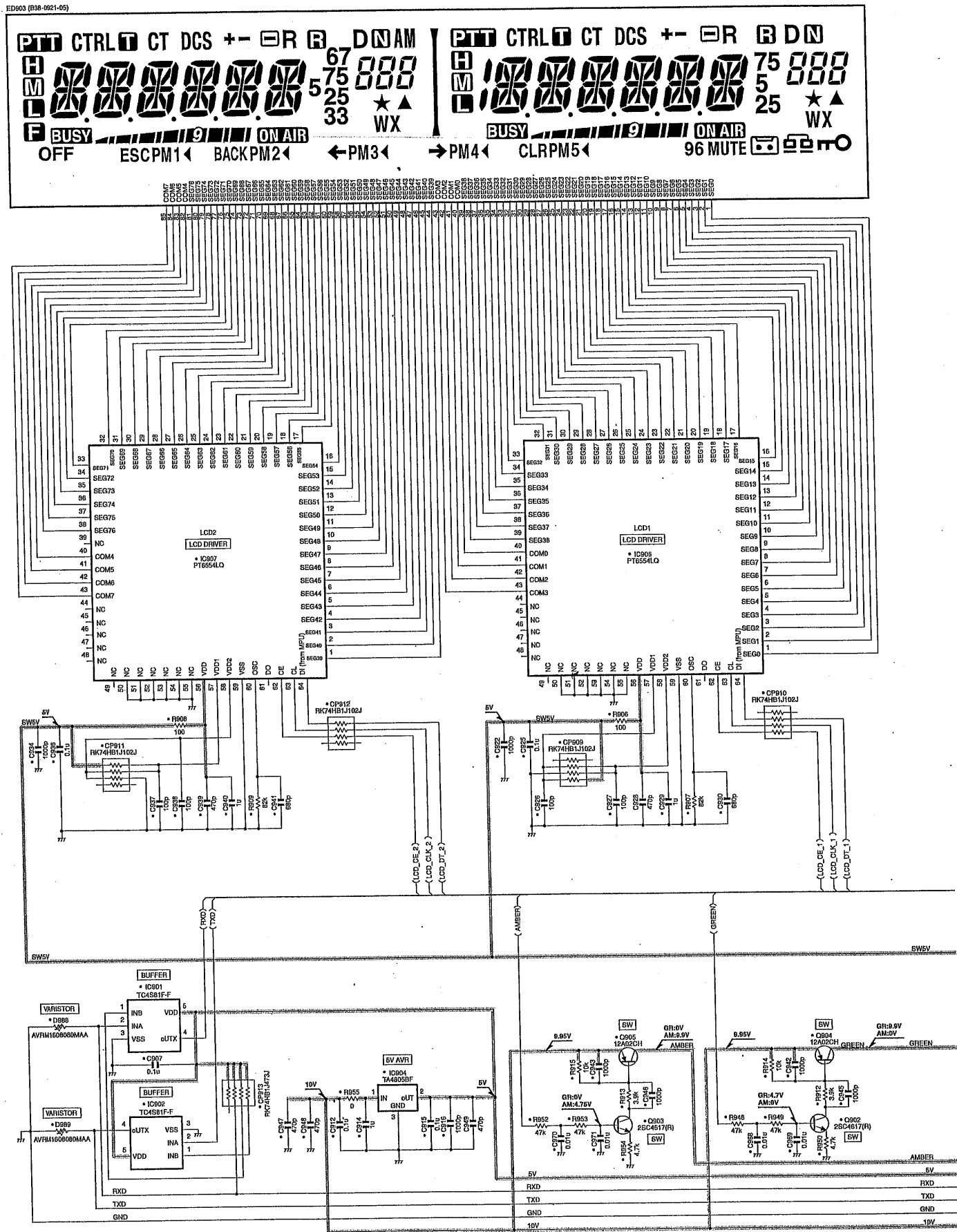


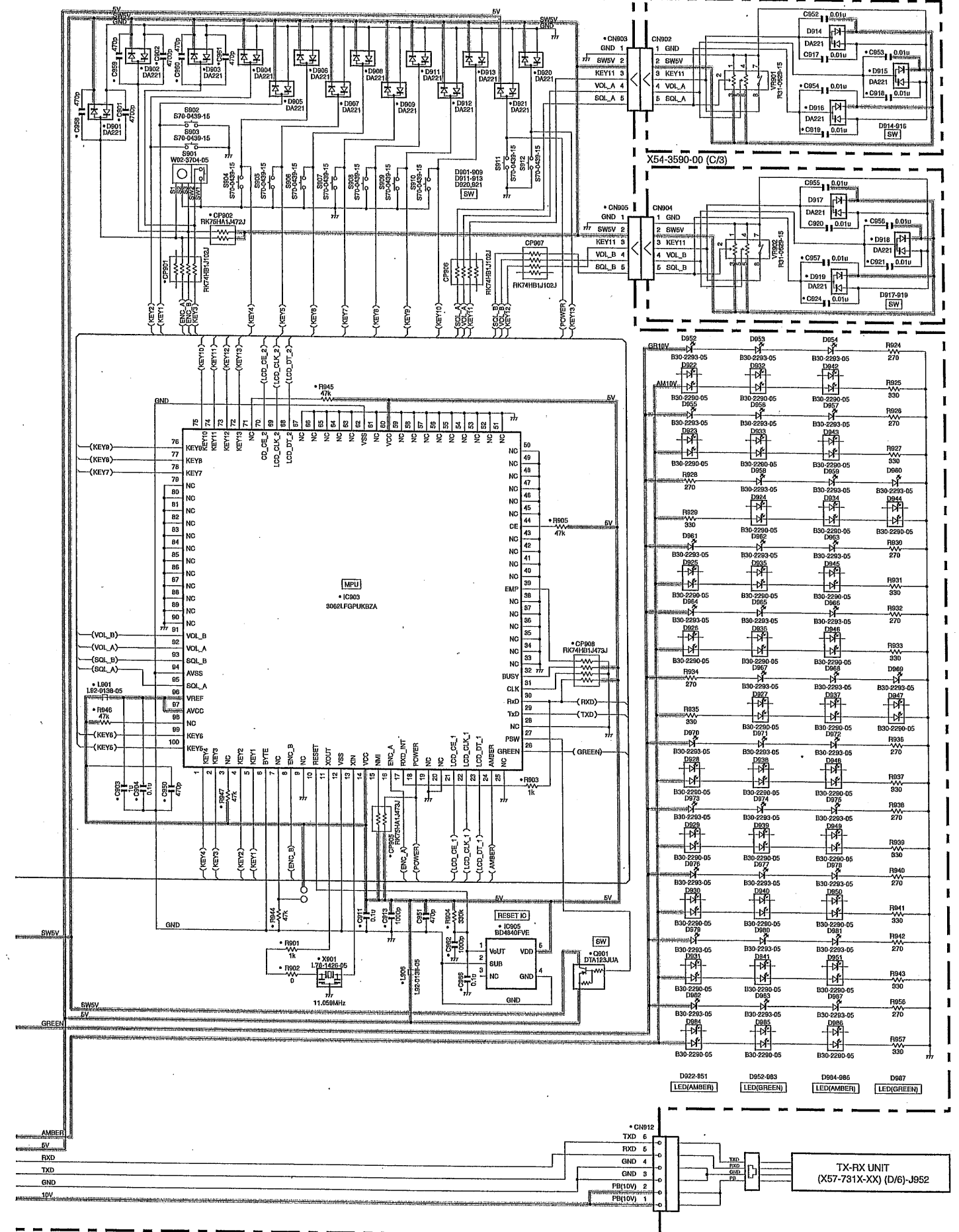
TM-V71A/V71E SCHEMATIC DIAGRAM

DISPLAY UNIT (X54-3590-00) (A/3)



SCHEMATIC DIAGRAM TM-V71A/V71E

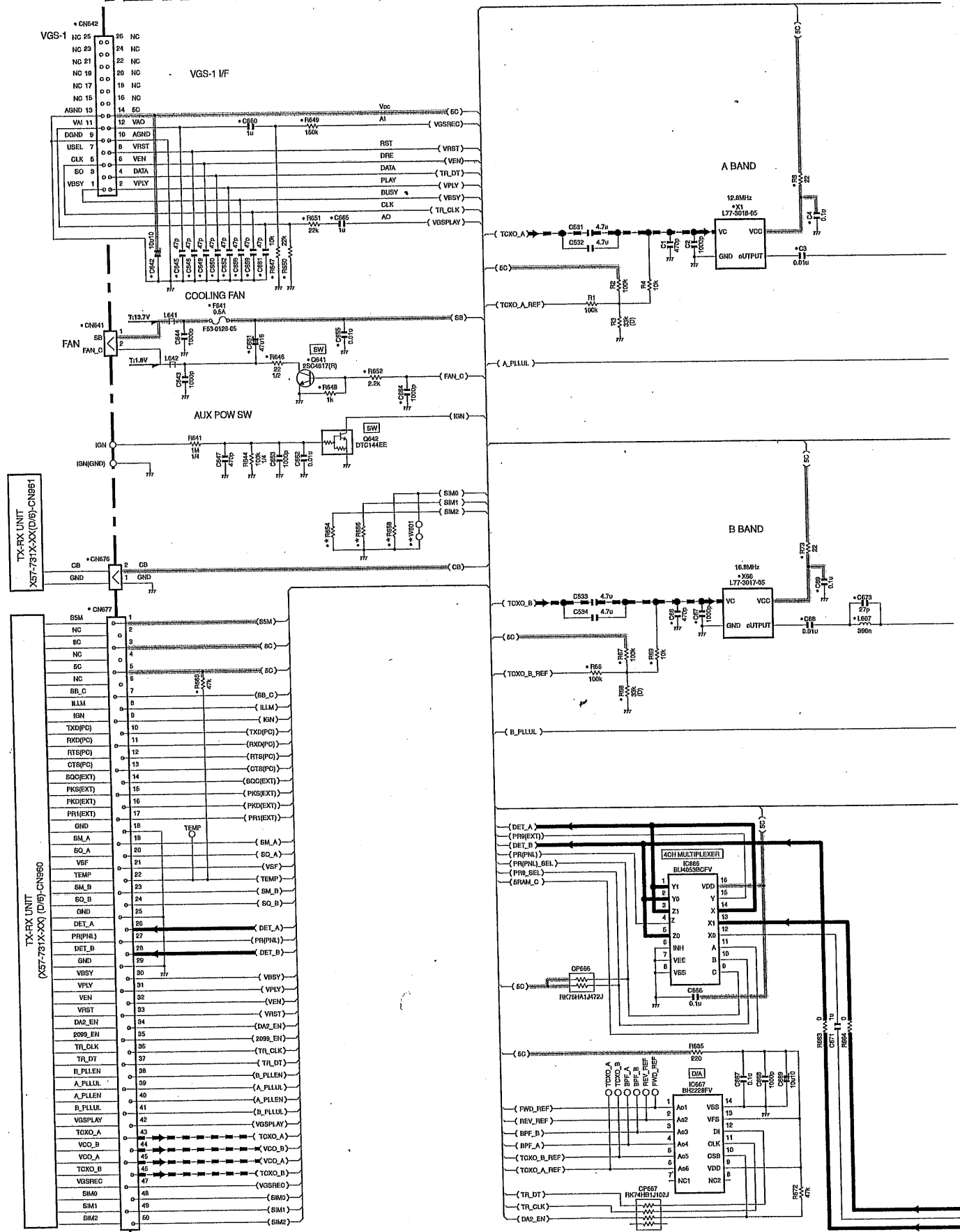
DISPLAY UNIT (X54-3590-00) (A/3)



Note : The components marked with a dot (•) are parts of layer 1.

TM-V71A/V71E SCHEMATIC DIAGRAM

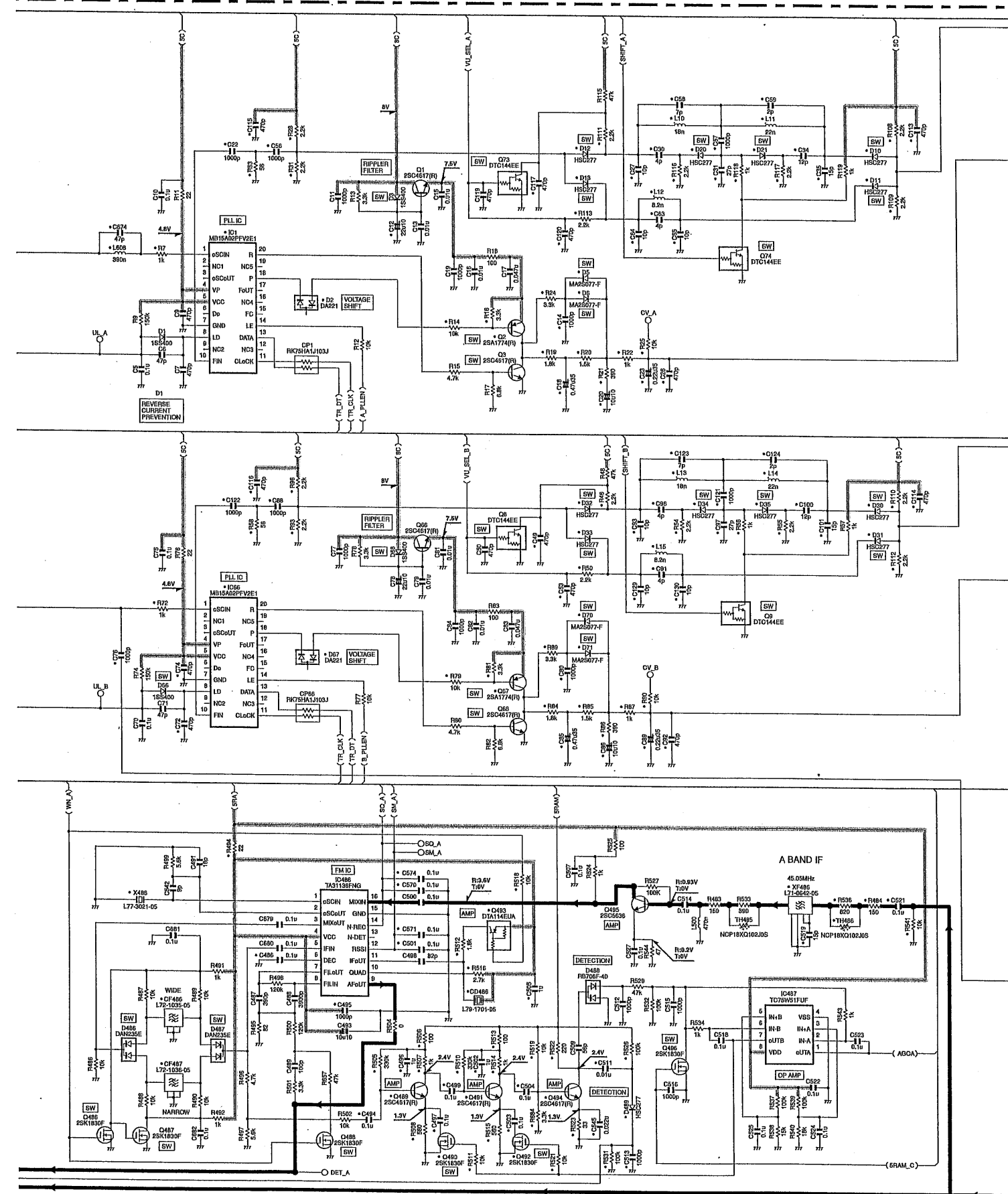
TX-RX UNIT (X57-731X-XX) (A/6): TX-RX SECTION



X57-731X-XX	R654	R656	R658	WB01
0-11	K	0	0	NO
2-71	E	NO	NO	0
0-21	M4	NO	0	NO

SCHEMATIC DIAGRAM TM-V71A/V71E

TX-RX UNIT (X57-731X-XX) (A/6): TX-RX SECTION

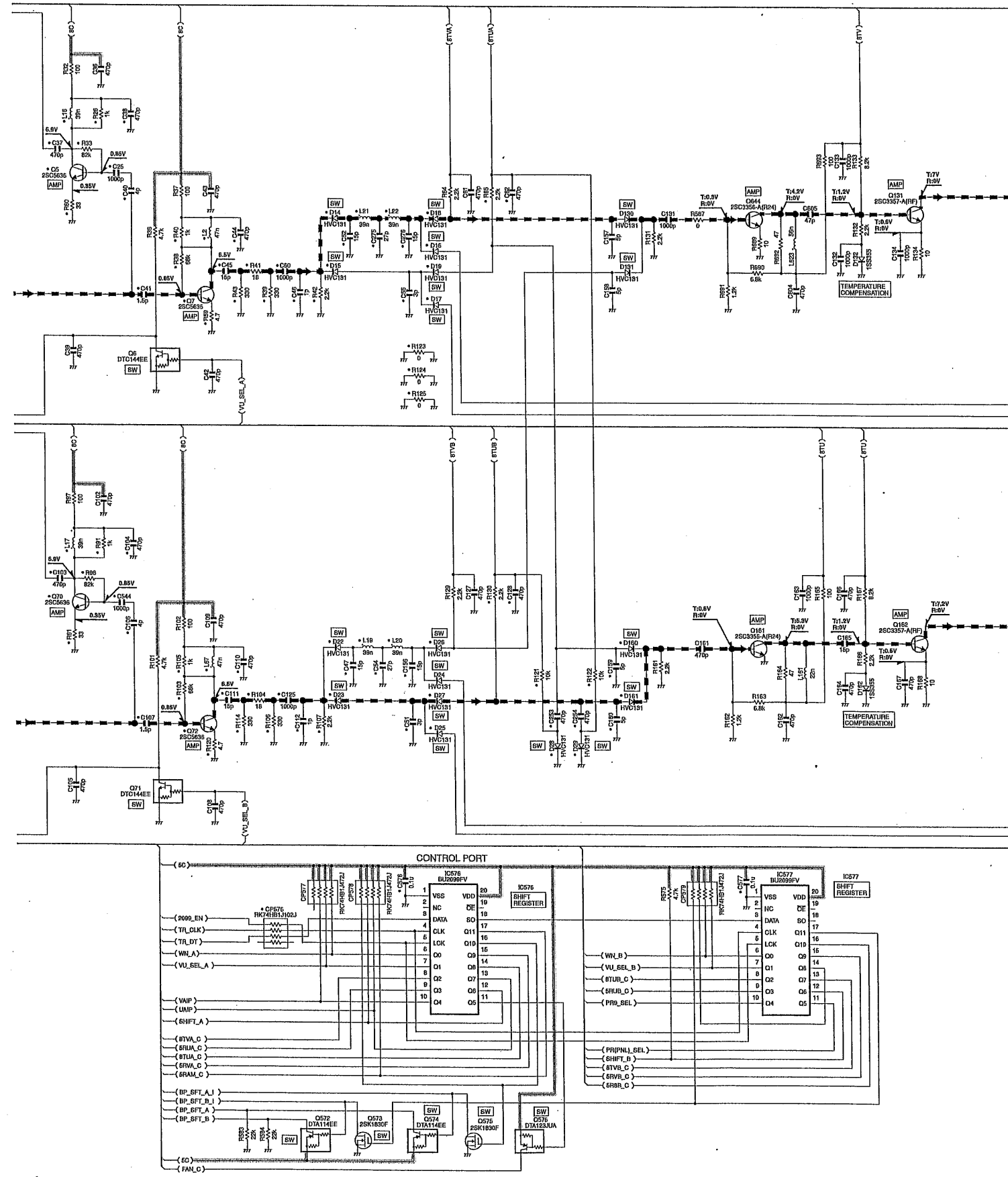
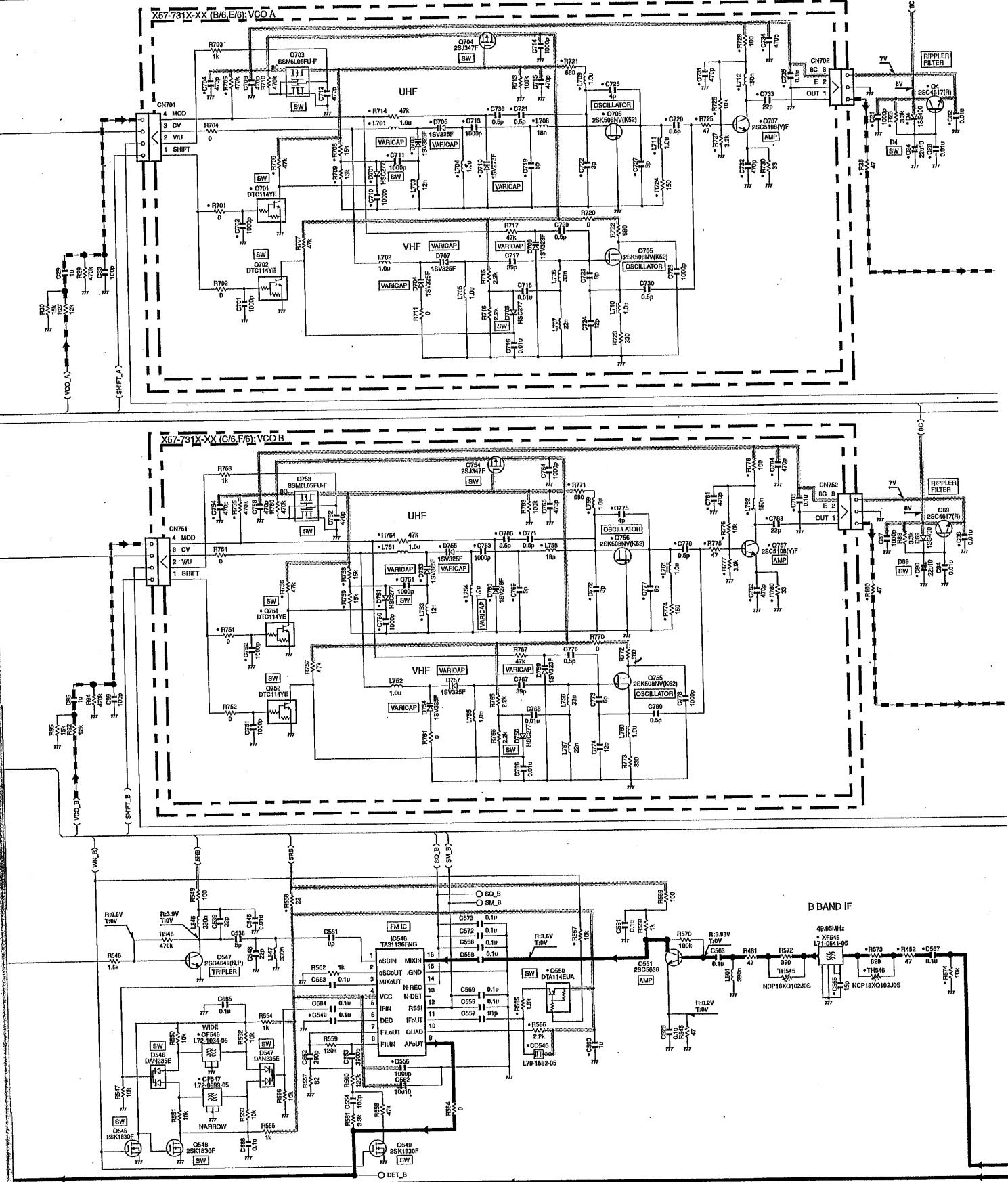


TM-V71A/V71E SCHEMATIC DIAGRAM

TX-RX UNIT (X67-731X-XX) (A/6): TX-RX SECTION

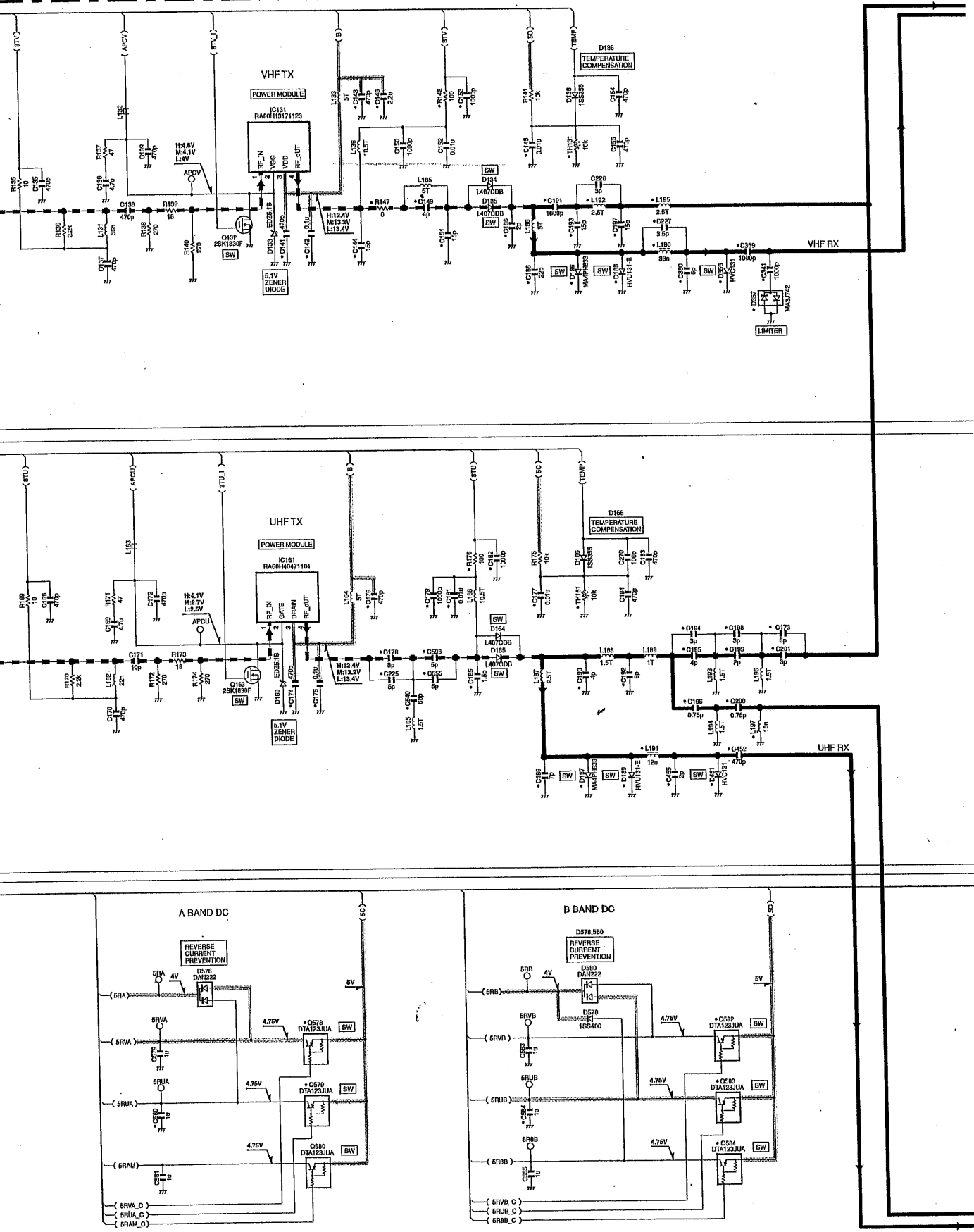
SCHEMATIC DIAGRAM TM-V71A/V71E

TX-RX UNIT (X67-731X-XX) (A/6): TX-RX SECTION



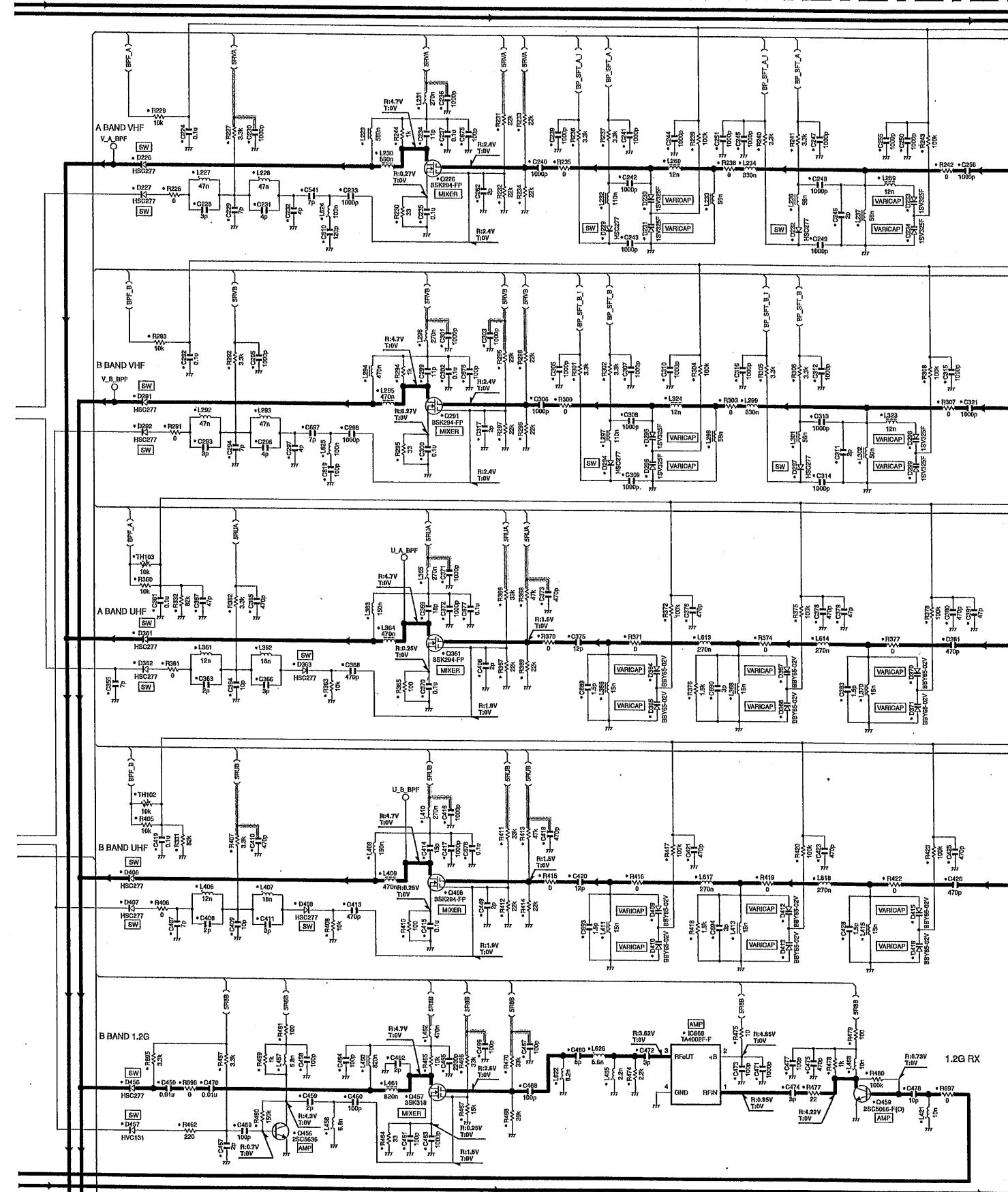
TM-V71A/V71E SCHEMATIC DIAGRAM

TX-RX UNIT (X67-781X-XX) (A/B): TX-RX SECTION



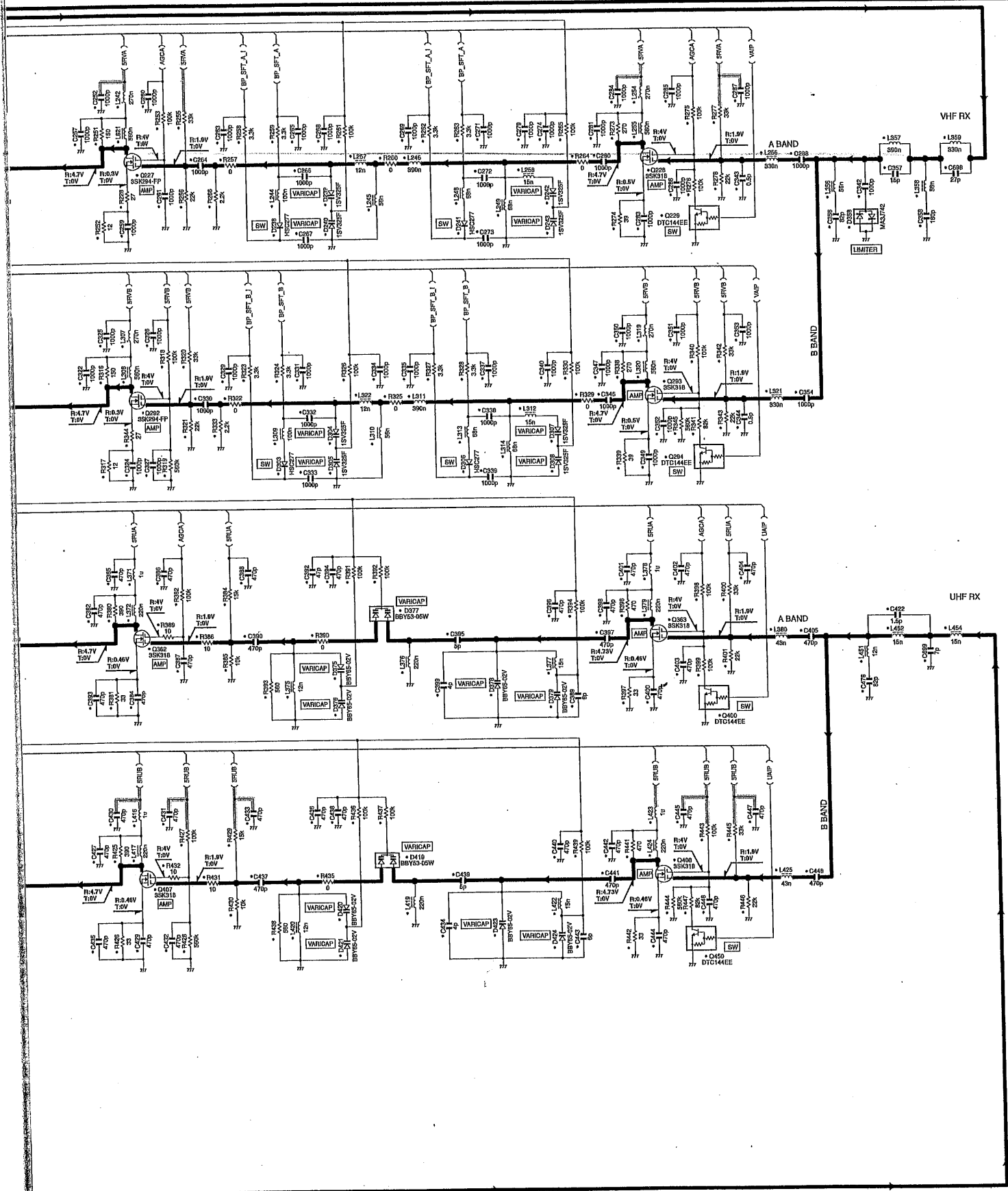
SCHEMATIC DIAGRAM TM-V71A/V71E

TX-RX UNIT (X67-781X-XX) (A/B): TX-RX SECTION



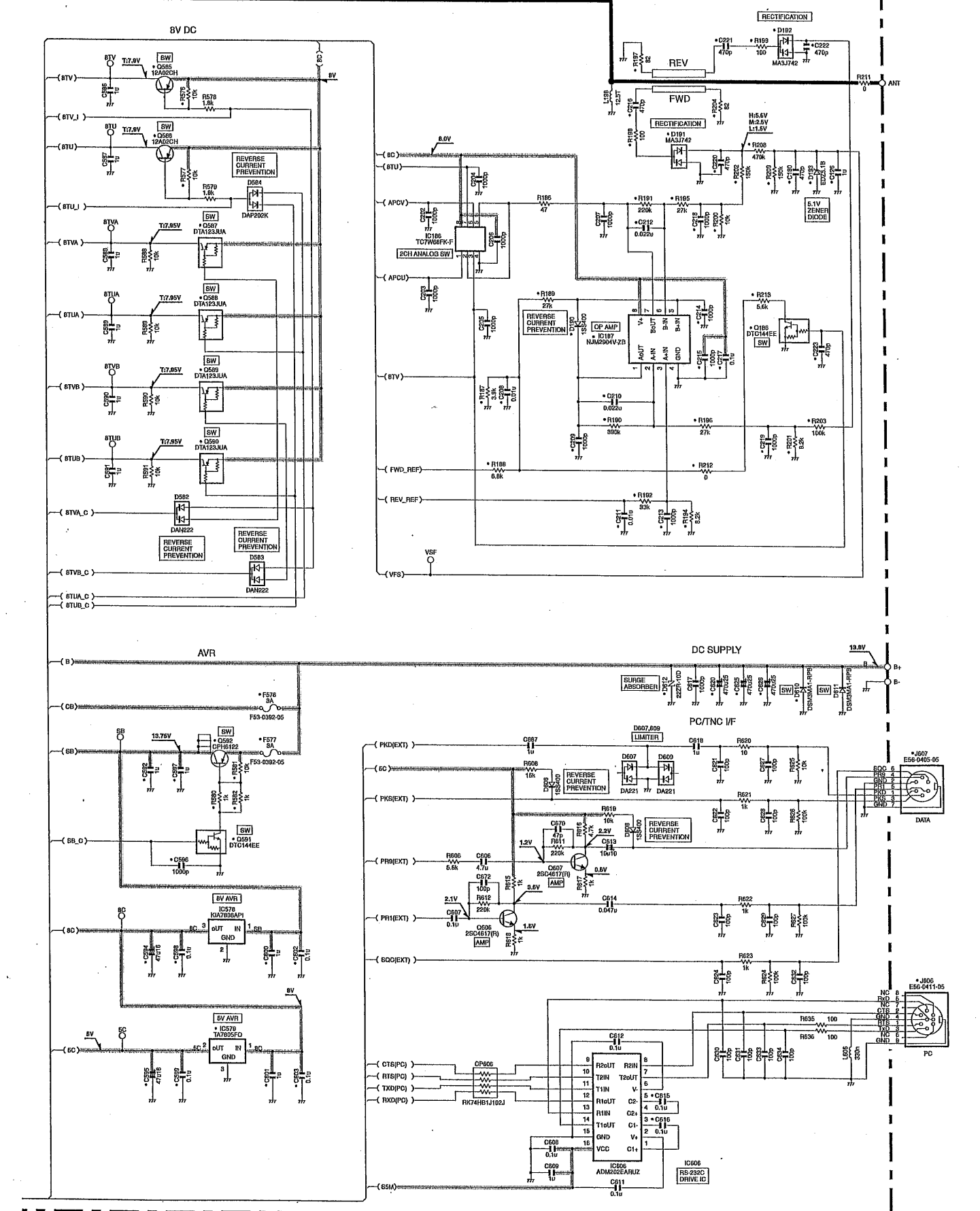
TM-V71A/V71E SCHEMATIC DIAGRAM

TX-RX UNIT (X67-731X-XX) (A/B): TX-RX SECTION



SCHEMATIC DIAGRAM TM-V71A/V71E

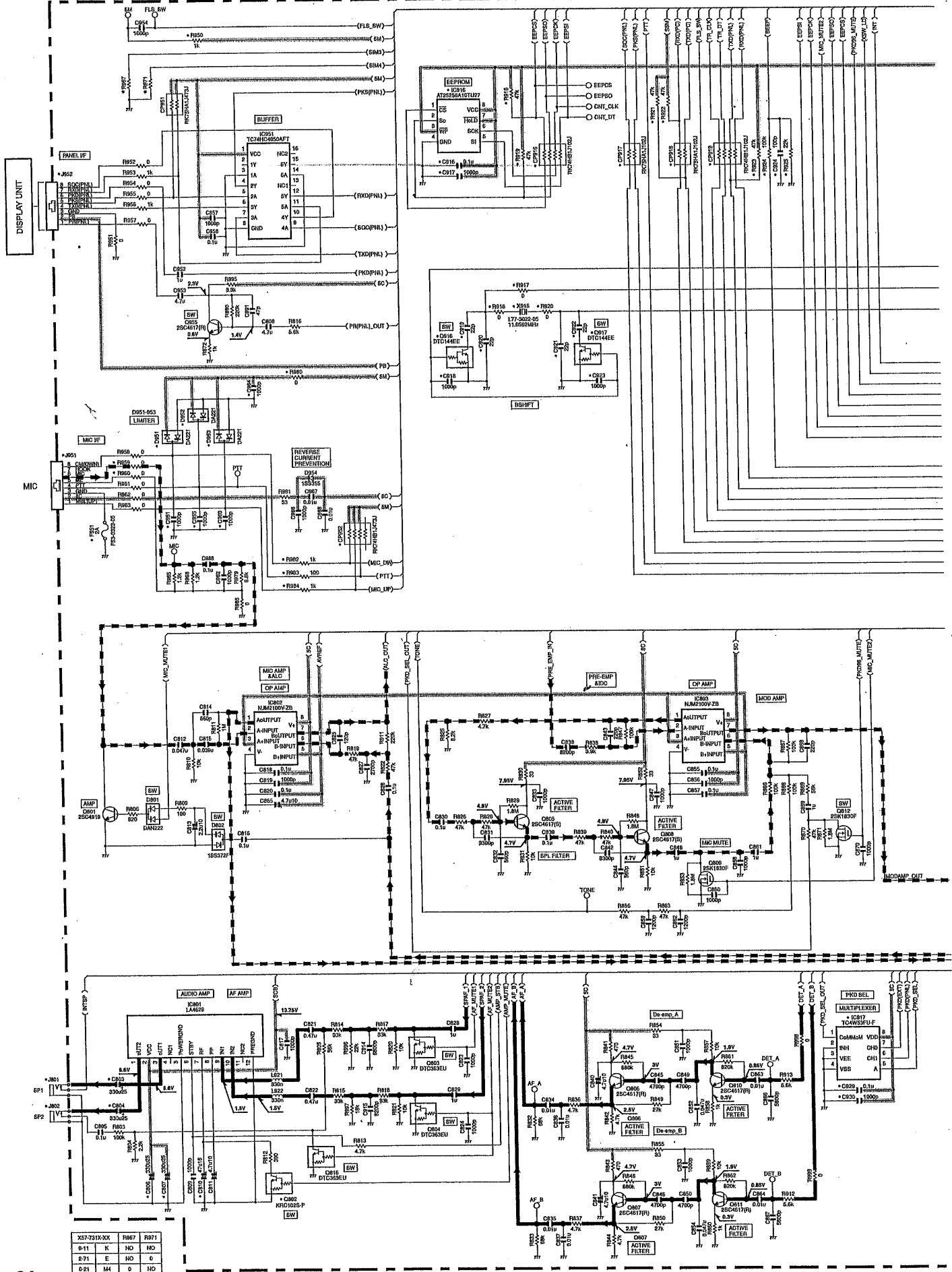
TX-RX UNIT (X67-731X-XX) (A/B): TX-RX SECTION



Note : The components marked with a dot (•) are parts of layer 1.

TM-V71A/V71E SCHEMATIC DIAGRAM

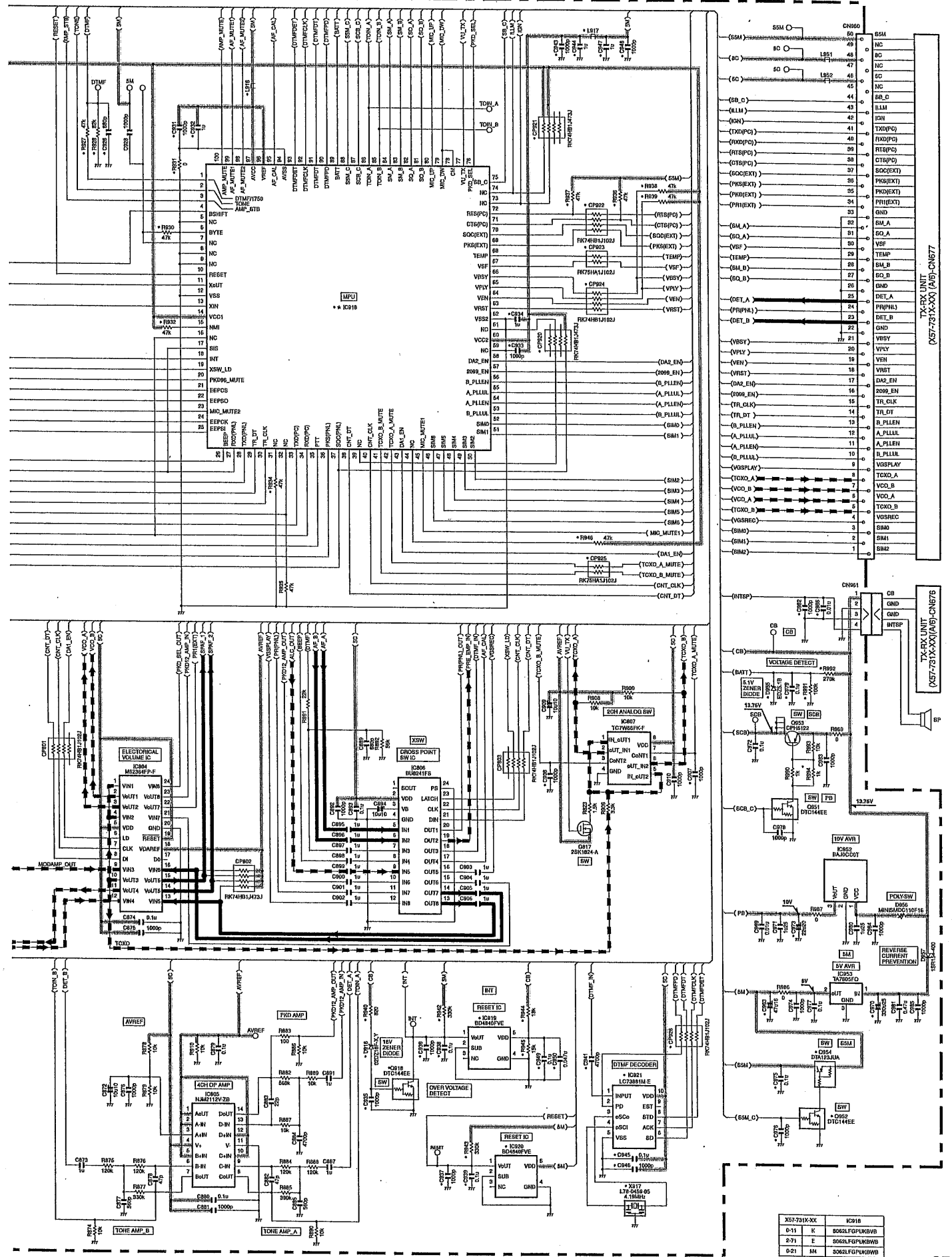
TX-RX UNIT (X67-731X-XX) (D/B): CONTROL SECTION



X67-731X-XX	R867	R871
0-11	K	NO
0-12	K	NO
0-13	K	NO
0-14	M	0

SCHEMATIC DIAGRAM TM-V71A/V71E

TX-RX UNIT (X67-731X-XX) (D/B): CONTROL SECTION



X67-731X-XX	IC919
0-11	K
0-12	E
0-21	M

Note: The components marked with a dot (•) are parts of layer 1.